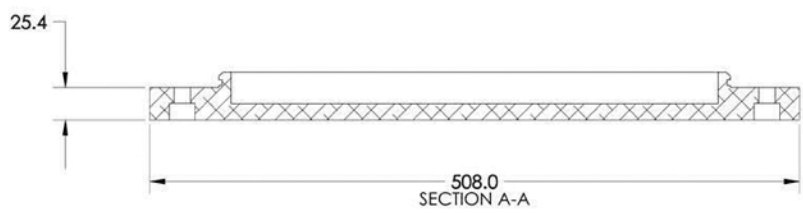
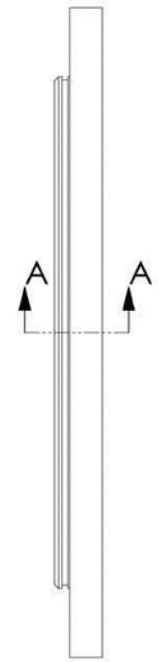
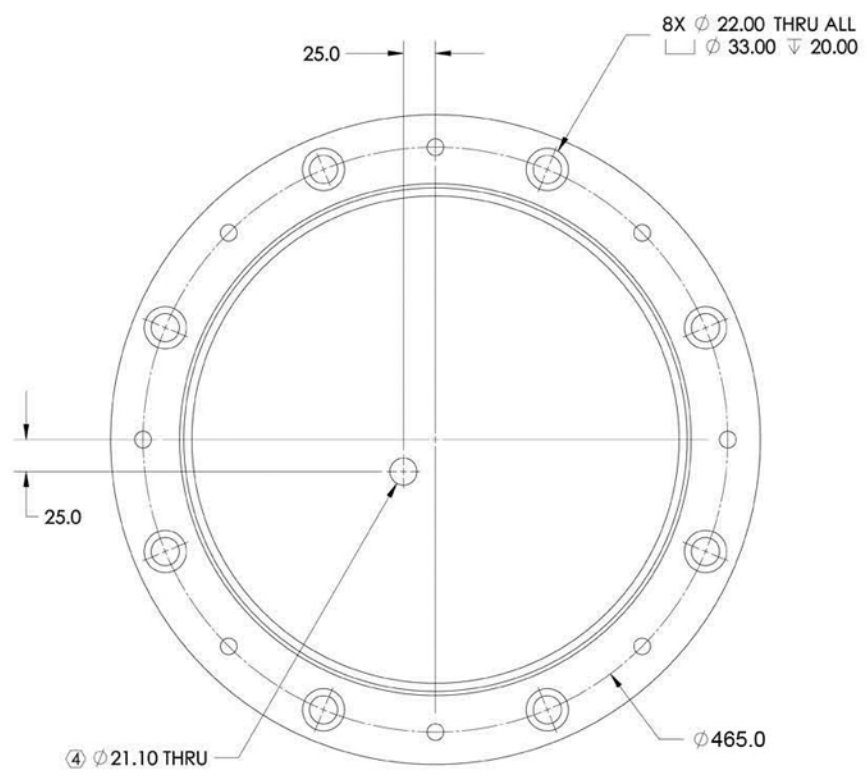


REVISIONS				
ZONE	REV.	DESCRIPTION	DATE	APPROVED
	1	INITIAL RELEASE	6/8/08	
	2	CHG HEIGHT OF UNIT	6/24/08	
	3	ADDED NOTES	7/14/08	
	4	ADDED NOTE 4 AND CHANGE POSITION AND DIA OF HOLE	7/17/08	



MIN. BOLT SPECIFICATION:
M20-2.5 x 100mm, GRADE 8.8, ZINC PLATE.
USE FLAT AND SPRING LOCK WASHERS ON
ALL BOLTS.

UNLESS OTHERWISE SPECIFIED:		NAME	DATE	HELIX WIND	
BREAK ALL SHARP EDGES: 1 MAX		DRAWN	J. HURRE	1848 COMMERCIAL ST. SAN DIEGO, CA 92113	
ALL HOLE CORNERS		CHECKED		TITLE:	
FINISH: MAX (MATCH SURFACES)		ENG APPR.		S322 BASE PLATE	
DIMENSIONS ARE IN MM		MFG APPR.		BOLT PATTERN	
TOLERANCES		Q.A.		REV	
ANGULAR: MACH 1/2° BEND 1/2°		COMMENTS:		C	
X = ± 0.25		ALL DIMENSIONS IN MM	SCALE: 1:3	DWG. NO.	
X.X = ± 0.20				303-10003	
X.XX = ± 0.10		WEIGHT:		SHEET 1 OF 1	
X.XXX = ± 0.05					
INTERPRET GEOMETRIC TOLERANCING PER ASME Y14.5M-1994					
MATERIAL					
FINISH					
SEE NOTES					
DO NOT SCALE DRAWING					
NEXT ASSY	USED ON				
APPLICATION					